

TIDD CRANE ///



TIDD PC28

TRT ///
...for the long haul

www.trtaustralia.com.au

www.trt.co.nz



The new TIDD PC28 is the ultimate pick and carry crane for capacity, safety and comfort!

TIDD PC28 NOW AVAILABLE WITH OPTIONAL SUPERLIFT COUNTERWEIGHT!

FEATURES

An articulating crane like no other, the TIDD PC28 is constructed using the highest quality components, and prioritises safety throughout its design.

The TIDD PC28 is the right crane for a wide range of operating environments with many class-leading features:

- European standard automotive finish
- Shortest forward projection in its class
- Outstanding turning radius

Full Power Boom

With the new 18.65m full power boom, a 75% stationary chart for the heavy lifts and 66% pick and carry chart, the TIDD PC28 packs a massive punch.

Made from high tensile steel, telescope sections 1 and 2 are fully synchronised and provide hook compensation. Telescope section 3 is independently operated with its own hydraulic cylinder.

Huge Lift Capability

With a 28 tonne maximum lift on the lug and 27.6 on the hook block. The TIDD PC28 delivers outstanding lifting capacities for improved efficiency and greater lift options, setting a new benchmark in the industry.

Moving from the stationary chart to the pick and carry chart is as simple as turning off the hold brake. You can now lift more and move more safely without compromise!

The Ultimate in Comfort

From the ergonomically designed forward mounted ROPS cabin (Patent No. 2012203625), with two-door configuration and ducted air conditioning, to the 150kg rated air suspension seats and 3-point safety belts, this crane is designed for comfort over long hours, helping to reduce operator fatigue!

Superior Roadability

Get from site to site with ease with a maximum speed of 80km per hour (speed limited). It has full ABS braking for improved safety, whether the crane is operating while stationary or at speed.

It is driven by a Mercedes Benz engine and Allison Transmission. With its superior suspension, the TIDD PC28 is 12 tonne per axle on the road including its 2.3 tonne removable counterweight.

Focused on Safety

The TIDD PC28 is the only pick and carry crane with this level of safety. Designed to maximise safety, the crane will minimise risk on the work site and on the road. Safety features include Dynamic LMI with a deadlock switch inside the cabin. The LMI bridging switch is outside the cabin. Slew Safe™ is an optional safety addition, recommended for the TIDD PC28.

Manufactured for the Industry

TRT have been designing and manufacturing heavy equipment, cranes and trailers for over 50 years, with real expertise in crane design, TRT is the home of the TIDD Crane.

Many of the TIDD PC28 features are designed based on industry feedback, improving safety and focused on capability, by drawing on technology and knowledge from our renowned manufacturing capability. TRT's manufacturing operation is ISO9001-2015 accredited.



Slew Safe™

Exclusive to the TIDD Crane, Slew Safe™ significantly reduces the risk of pick and carry crane rollovers, which are costly to operations.

This simple and effective system restricts the driver from operating off the chart. With audible and visual alarms along with steering restrictions, Slew Safe™ can't be over-ridden but will operate again when the load is moving in the safe direction. This sets a new standard in safety and industry best practice!

Australian Innovation Patent No. 2019100317



1 Counterweight
2.3 tonne roadable, front and rear mount counterweight.



2 Emergency Stop Buttons

- Inside cabin
- Either side of the crush zone in articulation area.

LMI override key is located outside behind the cabin.



3 Articulation
Articulating 44° either side of centre.



4 ROPS Cabin
Certified ROPS, 2-person cabin, seats have integrated seatbelts. Double door access.



5 Engine
Mercedes Benz OM906 six-cylinder, diesel engine.



6 Carry Deck
1 tonne capacity carry deck with restraint points.



7 Mirrors
Placement for optimised visibility.



8 Dynamic LMI
Automatically reduces the lift chart for side slope.



9 Boom
6.12-18.65m high tensile full power boom with 4 telescope sections.



DIMENSIONS

CAPACITY

28 tonne capacity on fixed lug

27.6 tonne capacity on running rope

BOOM

6.12-18.65m high tensile steel
4 section full power boom

ARTICULATION

44° either side of the centre

SPEED

Max 80km/hr

MASS

Gross vehicle mass 23.9 tonne

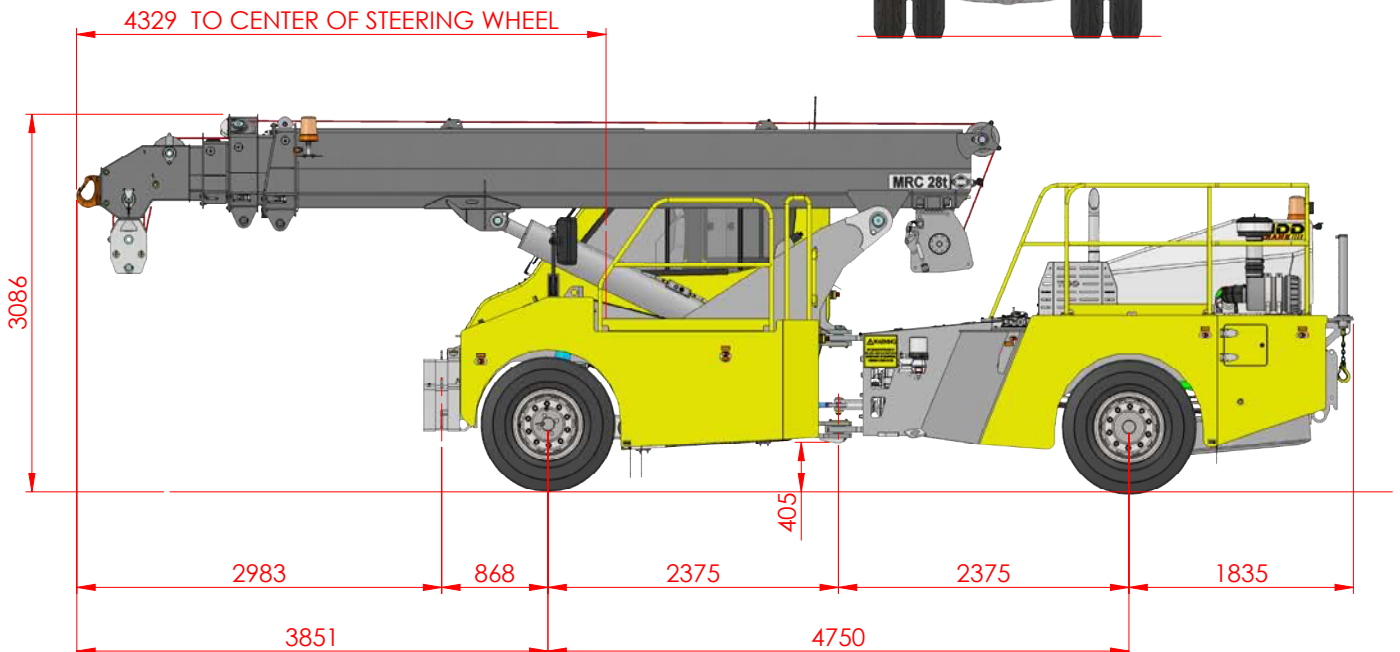
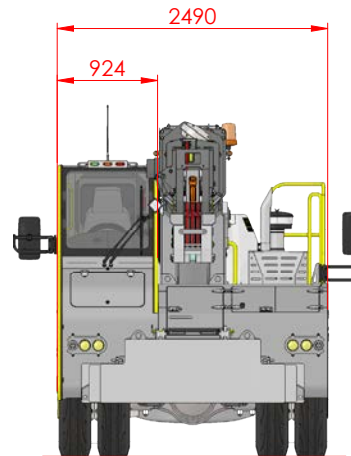
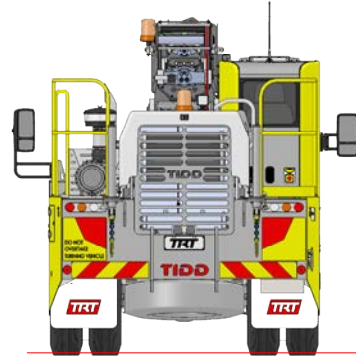
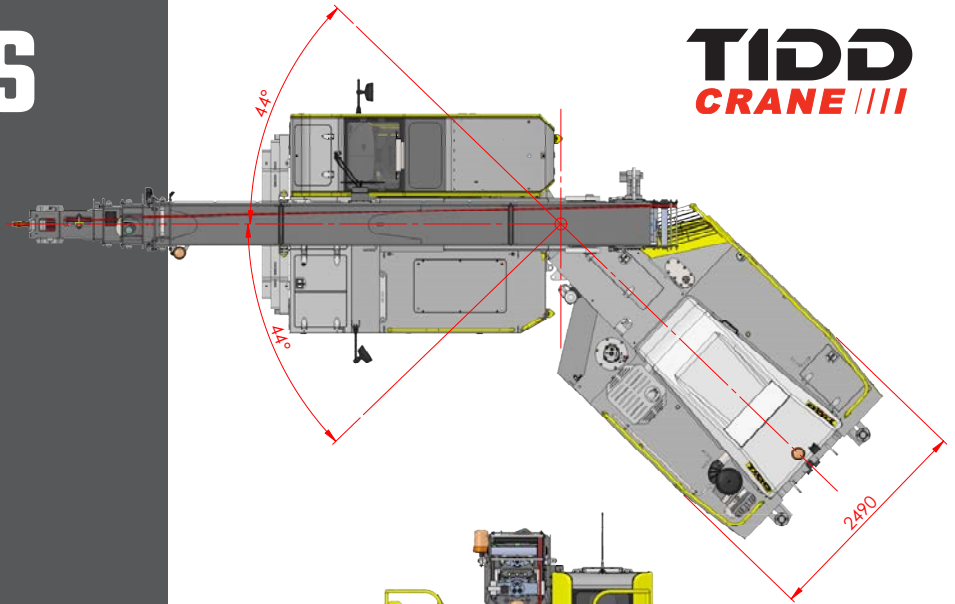
Front axle mass 11.9 tonne

Rear axle mass 12 tonne

COUNTERWEIGHT

2.3 tonne roadable, front and rear mount

TIDD
CRANE IIII



SPECIFICATIONS



The TDD PC28 is built with specialist features for construction and mining. There are a wide range of options available to tailor the crane to your operation. If the options you require are not listed below, please contact one of our experts.

CRANE

Double acting hydraulic cylinders (-6 to + 65°) with integral holding valve, allowing rigging to drop straight into the front chain box from the hook.

Anti-two block device.

Robway RCI8510 Dynamic Load Indicator with automatic cutouts and digital display.

A dash mounted deadlock switch allowing a temporary increase to 110% RC only with reduced function speeds.

A key locked Bridging switch is mounted externally on the cab limiting access to authorised persons.

Joystick control of boom and winch functions with 2-speed winch button, boom-telescoping switch proportionally controlled, and boom luffing with dead man trigger on grip.

15 tonne capacity Rhino hook.

4.6 tonne line pull Braden PD15 2-speed winch with automatic disc brakes and third wrap indicator.

14mm non-rotating wire rope x 6 falls.

15 tonne capacity spreader bar.

Large 2-sectioned chain box at the front of the crane and accessed directly from the hook.

1 tonne capacity carry deck with restraint points.

Two work lights on the boom and one rotating beacon on the boom and engine cover.

Three emergencies stop buttons, in cabin and either side of the crush zone in the articulation area.

Tri light safe load indicator on cabin roof with audible alarm.

CraneSafe inspection.

1 year warranty standard.

OPERATOR

Forward mounted cabin provides excellent vision.

Certified ROPS, 2-person cabin with double door access. (Patent No. 2012203625).

2 x 150 kg rated air suspension seats with 3-point seat belts.

Large dry storage area via the hinged cabin steps, ideal for storing soft slings.

Hand rails and access steps all have 3 points of contact at all times.

Safety glass throughout.

1.5 kg fire extinguisher.

Mirrors - placement for optimised visibility.

Reversing camera and alarm.

Air conditioning.

Bluetooth, Radio and USB Port.

RECOMMENDED OPTIONS

Slew Safe™ - Recommended - An effective system to restrict the driver from operating off the chart. With audible and visual alarms along with steering restrictions, Slew Safe cannot be over-ridden but will operate again when the load moves in the safe direction. Accepted on many Tier 1 sites as standard. (Australian Innovation Patent No. 2019100317)

Traction Air™ - Recommended - TRT's tyre pressure control system, improves TIDD PC28 crane safety on varying work surfaces, maintaining a constant tyre pressure based 130PSI and managed within the cab. It is backed by a 3 year/500,000km warranty. Contact us for more information.

DRIVELINE

Mercedes Benz OM906 six-cylinder, 6.4 litre, turbo charged, intercooled 205 kW diesel engine.

Allison 3000 series automatic transmission, 6 speeds forward.

Kessler high-speed planetary axles with diff lock on front axle.

Meritor transfer case.

Two stage engine and exhaust brake.

410 litre fuel tank with locking cap.

Automatically activated emergency hydraulic steering.

Dual line full air brakes on all wheels with ABS.

Pneumatically released spring applied emergency / park brake on all wheels.

Holding brake for front right wheel to allow slewing during stationary lifting.

Beka Max™ Auto Grease Pump.

TIDD hydro-pneumatic suspension on the front axle with hydraulic lockout for crane mode and automatic height adjustment for road mode.

Heavy duty parabolic spring suspension on rear.

High quality load sensing piston pump for hydraulic system, 305 litre hydraulic tank with filtration byway of pressure and return line filtration.

Battery isolator, external jump start terminals and starter isolator as standard.

LED 24V lighting system

Right side rear handrail for safe servicing of the engine area.

ADDITIONAL OPTIONS

Crane	25 degree offset Rhino attachment.
	Winch camera.
	1.9m offset Fly Jib with 0, 20 and 40 degree offsets.
	9.2t capacity single sheave hook block.
	Spare tyre and wheels.
	Spare tyre and wheel assembly mounted under rear chassis for safe easy access.
Driveline	1.1 tonne superlift counterweight.
	Loose wheel-nut indicator.
	Exhaust spark arrestor.
	Fast fill options; engine and transmission oil, hydraulic oil only and fuel only.
Operator Comfort/Safety	FOPS certified top view glass.
	Refrigerated compartment under dogman seat.
	First aid kit.
	4.5kg or 9kg fire extinguisher left chassis mounted.
	Fire suppression system.
	UHF Radio.
	High visibility reflective tape striping to specification.
	Rear handrail - left side.

LOAD CHART 66%

PICK & CARRY



0 - 0.6° CRANE SIDE SLOPE: PC28 MOBILE CRANE: MAIN HOIST - 2270kg COUNTERWEIGHT ON: REAR																			PICK AND CARRY			
RADIUS	BOOM LENGTH (M)																					
	6.12	6.50	7.00	7.50	8.00	8.50	9.00	9.50	10.00	10.50	11.00	11.50	12.00	12.50	13.00	13.50	14.45	15.50	16.50	17.50	18.64	
1	25000	25000	25000	25000	25000	25000																
1.5	22100	22100	22100	22100	22100	22100	22100	22100														
2	20500	20500	20500	20500	20500	20500	20500	20500	20500	20500												
2.5	19000	19000	19000	19000	19000	19000	19000	19000	19000	19000	19000	19000	19000									
3	16600	16500	16400	16400	16400	16400	16400	16400	16400	16400	16400	16000	15900	15800								
3.5	14500	14400	14300	14100	14000	13900	13800	13700	13600	13500	13400	13300	13150	13100								
4	12050	12000	11800	11800	11800	11800	11800	11800	11800	11800	11800	11700	11600	11500	11450	11400						
4.5	10750	10750	10750	10750	10750	10750	10750	10700	10700	10600	10600	10600	10500	10500	10500	10500						
5	9500	9500	9500	9500	9500	9450	9450	9450	9400	9400	9350	9350	9350	9300	9300	9300	9400	9400				
6	7700	7700	7700	7700	7700	7700	7700	7700	7700	7700	7700	7650	7650	7650	7650	7650	7600	7600	7700	7800	7800	7800
7	6400	6400	6400	6400	6400	6400	6400	6400	6400	6400	6400	6300	6300	6200	6200	6200	6200	6300	6400	6500	6500	6500
8	5100	5100	5100	5100	5100	5100	5100	5100	5100	5100	5100	5100	5100	5100	5100	5100	5150	5200	5250	5350	5350	5350
9	4450	4450	4450	4450	4450	4450	4450	4450	4450	4450	4450	4450	4450	4450	4450	4450	4450	4450	4450	4450	4450	4450
10	3800	3800	3800	3800	3800	3800	3800	3800	3800	3800	3800	3800	3800	3800	3800	3800	3800	3800	3800	3800	3800	3800
11	3400	3450	3450	3450	3450	3450	3450	3450	3450	3450	3450	3450	3450	3450	3450	3450	3450	3450	3450	3450	3450	3450
12	2800	2830	2830	2830	2830	2830	2830	2830	2830	2830	2830	2830	2830	2830	2830	2830	2830	2830	2830	2830	2830	2830
13	2420	2420	2420	2420	2420	2420	2420	2420	2420	2420	2420	2420	2420	2420	2420	2420	2420	2420	2420	2420	2420	2420
14	2000	2000	2000	2000	2000	2000	2000	2000	2000	2000	2000	2000	2000	2000	2000	2000	2000	2000	2000	2000	2000	2000
15	1790	1790	1790	1790	1790	1790	1790	1790	1790	1790	1790	1790	1790	1790	1790	1790	1790	1790	1790	1790	1790	1790
15.9	1510	1510	1510	1510	1510	1510	1510	1510	1510	1510	1510	1510	1510	1510	1510	1510	1510	1510	1510	1510	1510	1510

LMI DUTY 101-66

- This chart is for crane side slope from 0° to 0.6°. crane side slope larger than 0.6° the LMI will derate automatically
- Stability as per en13000:2010 (mod) and as1418.5 2013 part 4.1.2.6.1 pick and carry 66.6% of tipping load
- Operation of this machine with heavier loads than the capacities listed is strictly prohibited. machine tipping with boom extension occurs rapidly and without advance warning
- Lifting is to be vertical only
- Hoist rope: 14mm 34 x 7 grade 1960 n/mm2 non rotating min breaking force 18400kg
- 4600kg max line pull
- Tyre specification front and rear size 12.00 r20 creep load rating 8695kg @ 0-2 kph static load rating 9250kg @ 0 kph tyre pressure 130 psi

Rated Capacity (kg) for 0°-10° articulation
Rated Capacity (kg) for 11°-20° articulation
Rated Capacity (kg) for 21°-30° articulation
Rated Capacity (kg) for 31°-44° articulation

- Mass of slings and hook block to be added to load
- During operation, wind speed must not exceed 36 km/h (10m/s)
- Read and understand crane user manuals before operating
- Boom angle is with respect to the horizontal
- Spare wheel not included as counterweight
- Loads above the bold red line are limited structurally
- Loads below the bold red line are limited by stability

LOAD CHART 75% STATIONARY

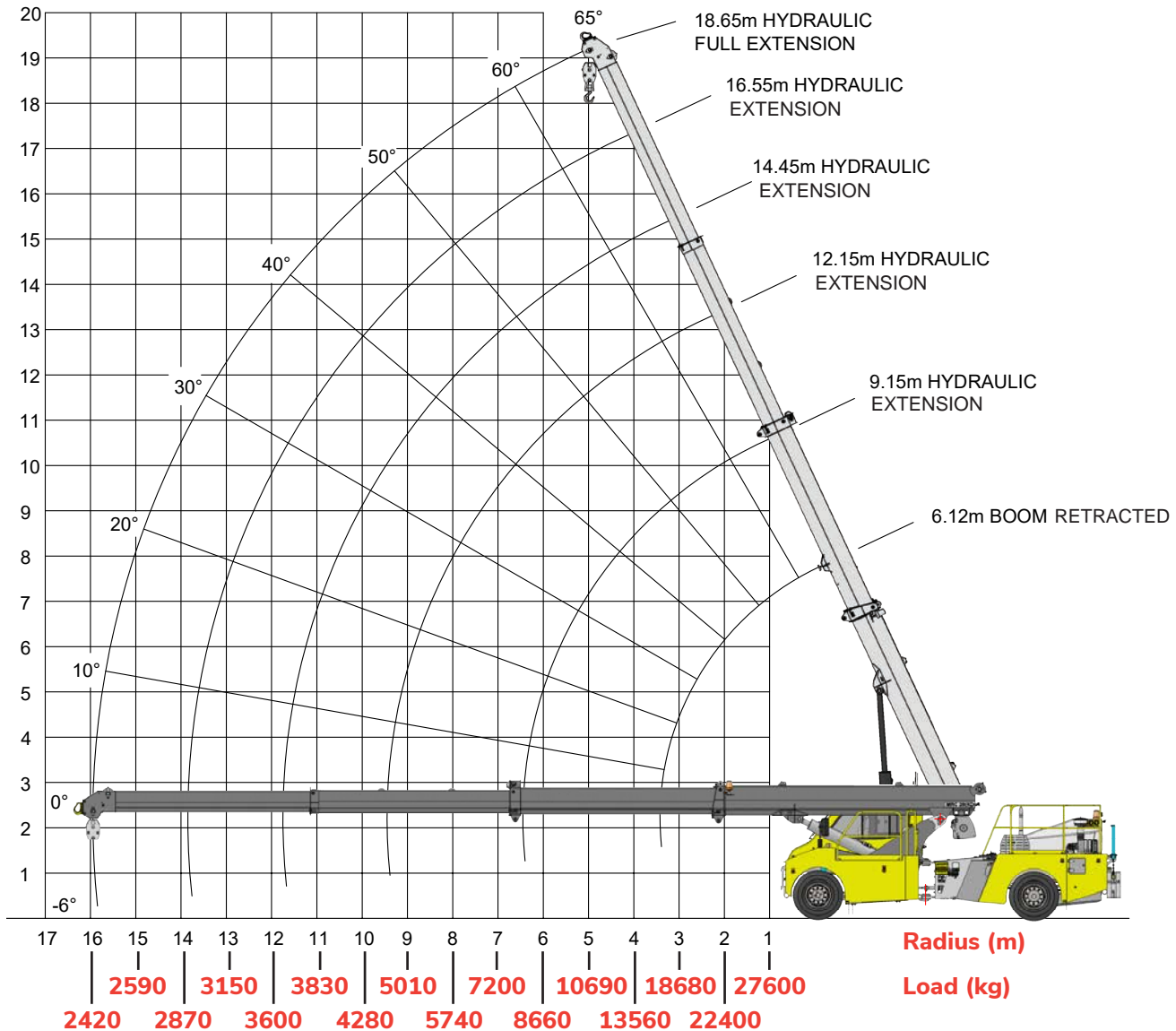


0 - 0.6° CRANE SIDE SLOPE: PC28 MOBILE CRANE: MAIN HOIST - 2270kg COUNTER WEIGHT ON:																	REAR		STATIONARY		
RADIUS	BOOM LENGTH (M)																				
	6.12	6.50	7.00	7.50	8.00	8.50	9.00	9.50	10.00	10.50	11.00	11.50	12.00	12.50	13.00	13.50	14.45	15.50	16.50	17.50	18.64
1	27600	25000	25000	25000	25000	25000															
	25390	23000	23000	23000	23000	23000															
	22630	20500	20500	20500	20500	20500															
	19320	17500	17500	17500	17500	17500															
1.5	23500	23500	23500	23500	23500	23500	23500	23500													
	21620	21620	21620	21620	21620	21620	21620	21620													
	19270	19270	19270	19270	19270	19270	19270	19270													
	16450	16450	16450	16450	16450	16450	16450	16450													
2	22400	22400	22400	22400	22400	22400	22400	22400	22400	22400											
	20610	20610	20610	20610	20610	20610	20610	20610	20610	20610											
	18370	18370	18370	18370	18370	18370	18370	18370	18370	18370											
	15680	15680	15680	15680	15680	15680	15680	15680	15680	15680											
2.5	21370	21370	21370	21370	21370	21370	21370	21370	21370	21370	21370	21370	21370								
	19660	19660	19660	19660	19660	19660	19660	19660	19660	19660	19660	19660	19660								
	17520	17520	17520	17520	17520	17520	17520	17520	17520	17520	17520	17520	17520								
	14960	14960	14960	14960	14960	14960	14960	14960	14960	14960	14960	14960	14960								
3	18680	18560	18450	18450	18450	18450	18450	18450	18450	18450	18450	18450	18000	17890	17780						
	17190	17080	16970	16970	16970	16970	16970	16970	16970	16970	16970	16970	16560	16460	16360						
	15320	15220	15130	15130	15130	15130	15130	15130	15130	15130	15130	15130	14760	14670	14580						
	13080	12990	12920	12920	12920	12920	12920	12920	12920	12920	12920	12920	12600	12520	12450						
3.5	16310	16200	16090	15860	15750	15640	15530	15410	15300	15190	15080	14960	14790	14740	14740						
	15010	14900	14800	14590	14490	14390	14290	14180	14080	13970	13870	13760	13610	13560	13560						
	13370	13280	13190	13010	12920	12820	12730	12640	12550	12460	12370	12270	12130	12090	12090						
	11420	11340	11260	11100	11030	10950	10870	10790	10710	10630	10560	10470	10350	10320	10320						
4		13560	13500	13280	13280	13280	13280	13280	13280	13280	13280	13160	13050	12940	12880	12830					
		12480	12420	12220	12220	12220	12220	12220	12220	12220	12220	12110	12010	11900	11850	11800					
		11120	11070	10890	10890	10890	10890	10890	10890	10890	10890	10790	10700	10610	10560	10520					
		9490	9450	9300	9300	9300	9300	9300	9300	9300	9300	9210	9140	9060	9020	8980					
4.5		12090	12090	12090	12090	12090	12090	12090	12040	12040	11930	11930	11930	11810	11810	11810	11810				
		11120	11120	11120	11120	11120	11120	11120	11080	11080	10980	10980	10980	10870	10870	10870	10870				
		9910	9910	9910	9910	9910	9910	9910	9870	9870	9780	9780	9780	9680	9680	9680	9680				
		8460	8460	8460	8460	8460	8460	8460	8430	8430	8350	8350	8350	8270	8270	8270	8270				
5		10690	10690	10690	10630	10630	10630	10630	10580	10580	10520	10520	10520	10520	10460	10520	10580	10580			
		9830	9830	9830	9780	9780	9780	9780	9730	9730	9680	9680	9680	9680	9680	9680	9680	9730	9730		
		8770	8770	8770	8720	8720	8720	8720	8680	8680	8630	8630	8630	8630	8630	8630	8680	8680	8680		
		7480	7480	7480	7440	7440	7440	7440	7410	7410	7360	7360	7360	7360	7360	7360	7320	7360	7410	7410	
6		8660	8660	8660	8660	8660	8660	8660	8660	8660	8660	8610	8610	8610	8550	8550	8660	8780	8780		
		7970	7970	7970	7970	7970	7970	7970	7970	7970	7920	7920	7920	7870	7870	7870	7870	7970	8080	8080	
		7100	7100	7100	7100	7100	7100	7100	7100	7100	7060	7060	7060	7060	7010	7010	7100	7200	7200		
		6060	6060	6060	6060	6060	6060	6060	6060	6060	6030	6030	6030	5990	5990	6060	6150	6150			
7		7200	7200	7200	7200	7200	7200	7200	7200	7200	7090	7090	7090	6980	6980	7090	7090	7200	7310	7310	
		6620	6620	6620	6620	6620	6620	6620	6620	6620	6520	6520	6520	6420	6420	6470	6520	6620	6730	6730	
		5900	5900	5900	5900	5900	5900	5900	5900	5900	5810	5810	5810	5720	5720	5760	5810	5900	5990	5990	
		5040	5040	5040	5040	5040	5040	5040	5040	5040	4960	4960	4960	4890	4890	4920	4960	5040	5120	5120	
8		5740	5740	5740	5740	5740	5740	5740	5740	5740	5740	5740	5740	5740	5740	5740	5790	5850	5910	6020	
		5280	5280	5280	5280	5280	5280	5280	5280	5280	5280	5280	5280	5280	5280	5330	5380	5440	5540	5540	
		4710	4710	4710	4710	4710	4710	4710	4710	4710	4710	4710	4710	4710	4710	4750	4800	4850	4940	4940	
		4020	4020	4020	4020	4020	4020	4020	4020	4020	4020	4020	4020	4020	4050	4100	4140	4210	4210	4210	
9		5010	5010	5010	5010	5010	5010	5010	5010	5010	5010	5010	5010	5010	5010	5010	5010	5010	5120	5120	
		4610	4610	4610	4610	4610	4610	4610	4610	4610	4610	4610	4610	4610	4610	4610	4610	4610	4710	4710	
		4110	4110	4110	4110	4110	4110	4110	4110	4110	4110	4110	4110	4110	4110	4110	4110	4110	4200	4200	
		3510	3510	3510	3510	3510	3510	3510	3510	3510	3510	3510	3510	3510	3510	3510	3510	3510	3580	3580	
10		4280	4280	4280	4280	4280	4280	4280	4280	4280	4280	4280	4280	4280	4280	4280	4280	4280	4440	4500	
		3940	3940	3940	3940	3940	3940	3940	3940	3940	3940	3940	3940	3940	3940	3940	3940	4040	4080	4140	
		3510	3510	3510	3510	3510	3510	3510	3510	3510	3510	3510	3510	3510	3510	3510	3510	3600	3640	3690	
		3000	3000	3000	3000	3000	3000	3000	3000	3000	3000	3000	3000	3000	3000	3000	3000	3070	3110	3150	
11		3830	3830	3830	3830	3830	3830	3830	3830	3830	3830	3830	3830	3830	3830	3830	3830	3830	3940	3940	
		3520	3520	3520	3520	3520	3520	3520	3520	3520	3520	3520	3520	3520	3520	3520	3520	3520	3620	3620	
		3140	3140	3140	3140	3140	3140	3140	3140	3140	3140	3140	3140	3140	3140	3140	3140	3140	3230	3230	
		2680	2720	2720	2720	2720	2720	2720	2720	2720	2720	2720	2720	2720	2720	2720	2720	2720	2760	2760	
12		3600	3600	3600	3600	3600	3600	3600	3600	3600	3600	3600	3600	3600	3600	3600	3600	3600	3660	3660	
		3310	3310	3310	3310	3310	3310	3310	3310	3310	3310	3310	3310	3310	3310	3310	3310	3310	3370	3370	
		2950	2950	2950	2950	2950	2950	2950	2950	2950	2950	2950	2950	2950	2950	2950	2950	2950	3000	3000	
		2520	2520	2520	2520	2520	2520	2520	2520	2520	2520	2520	2520	2520	2520	2520	2520	2520	2560	2560	
13		3150	3210	3260	3260	3260	3260	3260	3260	3260	3260	3260	3260	3260	3260	3260	3260	3260	3320	3320	
		2900	2950	3000	3000	3000	3000	3000	3000	3000	3000	3000	3000	3000	3000	3000	3000	3000	3060	3060	
		2580	2630	2670	2670	2670	2670	2670	2670	2670	2670	2670	2670	2670	2670	2670	2670	2670	2730	2730	
		2210	2250	2280	2280																

WORKING RANGE



With counterweight on rear



NOTE: Rated capacity values shown are for the stationary chart on the hook.

After Sales Support

TRT is proud to manufacture the TIDD PC28, and we are committed to supporting our product for its warranty and beyond. The team of highly experienced TIDD service technicians and agents are available to assist operators, fleet owners and workshops with training, advice, documentation and product upgrades.

Parts

TRT stocks genuine spare parts for the TIDD PC28 in Australia and NZ. We can easily arrange overnight freight for all spares and service items to ensure the Crane is returned to service with minimal downtime.

Available from:



Ronco Construction Equipment & Engineering

33 Valencia Way, Maddington WA 6109
 P: 1800CRANES | (08) 9459 6212
 E: tidd@ronco.com.au

www.ronco.com.au

TRT reserves the right to alter specifications without notice. Photographs and drawings in this document are for illustrative purposes only. Product shown in photos contains optional features. TRT in so far as it is permitted by law to do so, shall not be liable in any way as a result of any reliance by any person on anything contained in this brochure.

Please contact us for current and detailed specifications. TRT Australia Pty Ltd / Tidd Ross Todd Ltd is the manufacturer of the TIDD PC28.

27092019

Designed & Manufactured by:



TRT (AUST) PTY. Ltd.
 1028 Lytton Road, Murarie, QLD 4172
 Phone: +61 7 3890 8800
 Email: cranesales@trtaust.com.au
www.trtaustralia.com.au

Tidd Ross Todd Ltd
 48 Maui Street, Pukete Industrial Estate
 P.O Box 10076, Te Rapa, Hamilton 3241
 Phone: +64 7 849 4839 Email: cranesales@trt.co.nz
www.trt.co.nz